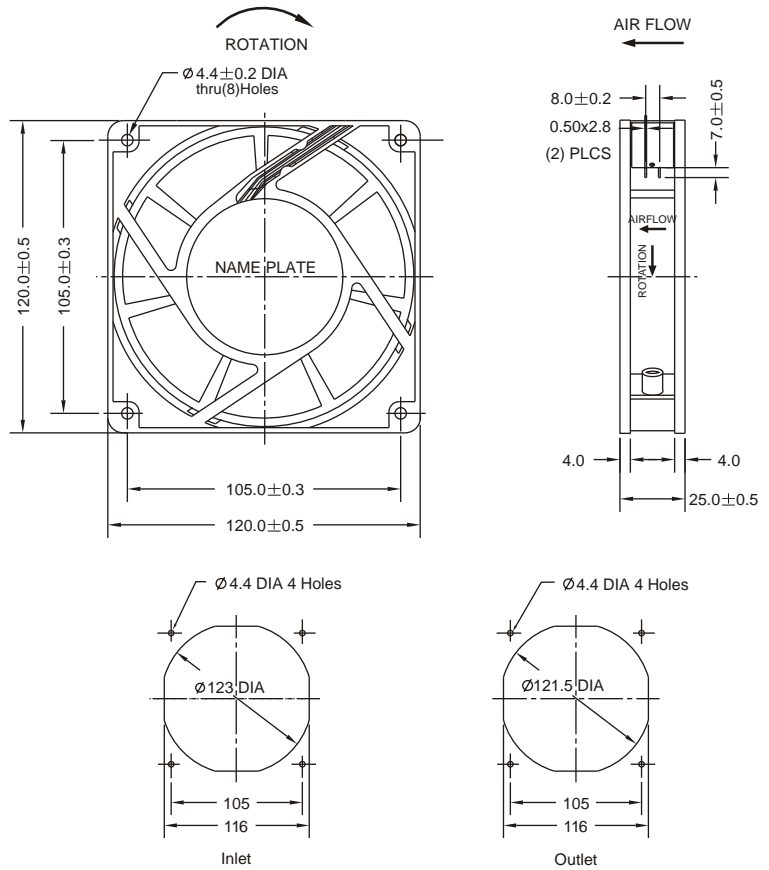


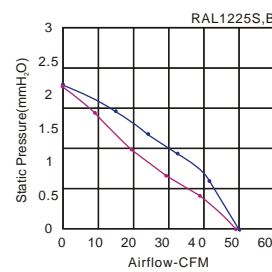
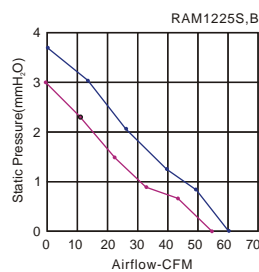
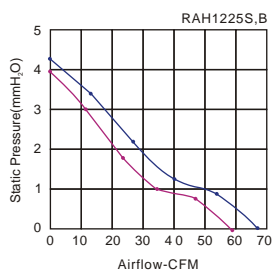
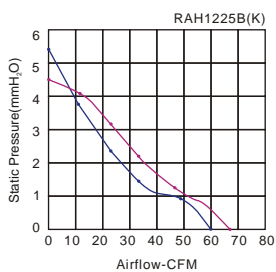
AC 1225 SERIES AXIAL FAN



Size: 120mmx120mmx25mm  
 Airflow: 85 ~ 129m<sup>3</sup>/hr  
 50 ~ 76CFM  
 Weight: 370g  
 Noise: 31 ~ 39dBA  
 Impeller: PA6 UL94V-0 Reinforced Plastic  
 Frame: Aluminum Alloy  
 Terminals: 0.5mm  
 Lead Wire: AWG#22 UL 1007  
 (Optional)  
 Motor: Shaded Pole Induction Motor  
 Safety: UL.CUL.TUV.CE  
 Operation Temperature: -10°C ~ +55°C

Unit:mm

Model	Bearing System	Voltage VAC	Freq. Hz	Current A	Power W	Speed RPM	Noise dBA	Air Flow		Static Pressure (mmH <sub>2</sub> O)	Weight Gram
								M <sup>3</sup> /hr	CFM		
RAH1225S1	Sleeve	220~240	50/60	0.07	14/13	2150/2450	34/39	100/115	59/68	4.0/4.3	370
RAM1225S1		220~240	50/60	0.06	11/10	2000/2200	33/34	94/102	55/60	3.0/3.7	
RAL1225S1		220~240	50/60	0.05	9/8	1800/1800	31/31	85/85	50/50	2.2/2.2	
RAH1225S2		100~125	50/60	0.17	14/13	2150/2450	34/39	100/115	59/68	4.0/4.3	
RAM1225S2		100~125	50/60	0.13	11/10	2000/2200	33/34	94/102	55/60	3.0/3.7	
RAL1225S2		100~125	50/60	0.09	9/8	1800/1800	31/31	85/85	50/50	2.2/2.2	
RAH1225B1	Ball	220~240	50/60	0.07	14/13	2150/2450	34/39	100/115	59/68	4.0/4.3	
RAM1225B1		220~240	50/60	0.06	11/10	2000/2200	33/34	94/102	55/60	3.0/3.7	
RAL1225B1		220~240	50/60	0.05	9/8	1800/1800	31/31	85/85	50/50	2.2/2.2	
RAH1225B2		100~125	50/60	0.17	14/13	2150/2450	34/39	100/115	59/68	4.0/4.3	
RAM1225B2		100~125	50/60	0.13	11/10	2000/2200	33/34	94/102	55/60	3.0/3.7	
RAL1225B2		100~125	50/60	0.09	9/8	1800/1800	31/31	85/85	50/50	2.2/2.2	
RAH1225B1(K)		220~240	50/60	0.07	16/14	2450/2700	39/41	115/129	68/76	5.4/5.1	
RAH1225B2(K)		100~125	50/60	0.07	16/14	2450/2700	39/41	115/129	68/76	5.4/5.1	



Key  
 — 60Hz  
 — 50Hz