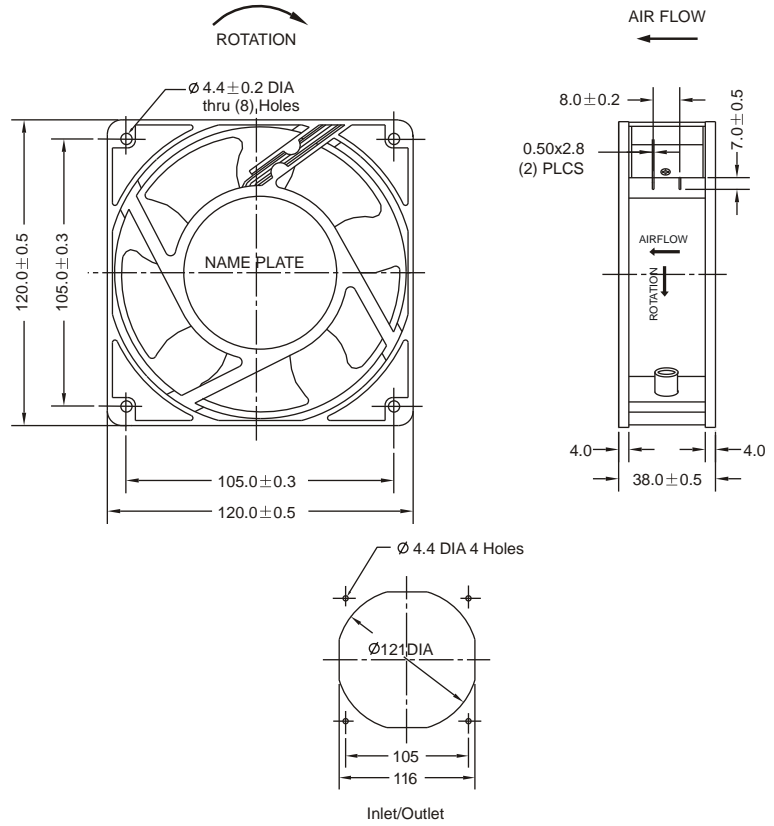


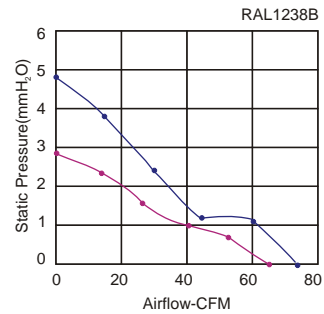
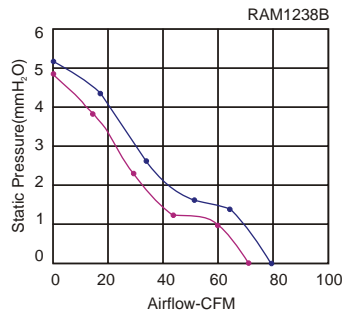
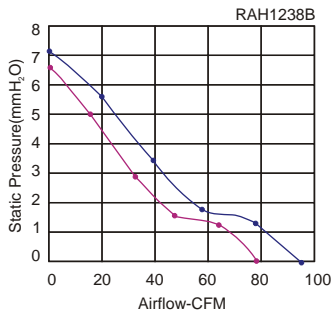
AC 1238 SERIES AXIAL FAN



Size: 120mmx120mmx38mm
 Airflow: 110~163m³/hr
 65~96CFM
 Weight: 620g
 Noise: 37~45dBA
 Impeller: Metallic
 Frame: Aluminium Alloy
 Terminals: 0.5mm
 Lead Wire: AWG#22 UL 1007
 (Optional)
 Motor: Shaded Pole Induction Motor
 Safety: UL.CUL.TUV.CE
 Operation Temperature: -10°C~+70°C

Unit:mm

Model	Bearing System	Voltage VAC	Freq. Hz	Current A	Power W	Speed RPM	Noise dBA	Air Flow		Static Pressure (mmH ₂ O)	Weight Gram
								M ³ /hr	CFM		
RAH1238B1(5BM)	Ball	220~240	50/60	0.20	23/20	2600/3000	41/45	134/163	79/96	6.6/7.0	620
RAM1238B1(5BM)		220~240	50/60	0.16	15/14	2400/2700	39/43	126/139	74/82	4.9/5.1	
RAL1238B1(5BM)		220~240	50/60	0.10	10/9	2100/2400	37/39	110/126	65/74	2.8/4.9	
RAH1238B2(5BM)		100~125	50/60	0.30	23/20	2600/3000	41/45	134/163	79/96	6.6/7.0	
RAM1238B2(5BM)		100~125	50/60	0.25	15/14	2400/2700	39/43	126/139	74/82	4.9/5.1	
RAL1238B2(5BM)		100~125	50/60	0.20	10/9	2100/2400	37/39	110/126	65/74	2.8/4.9	



Key
 — 60Hz
 — 50Hz