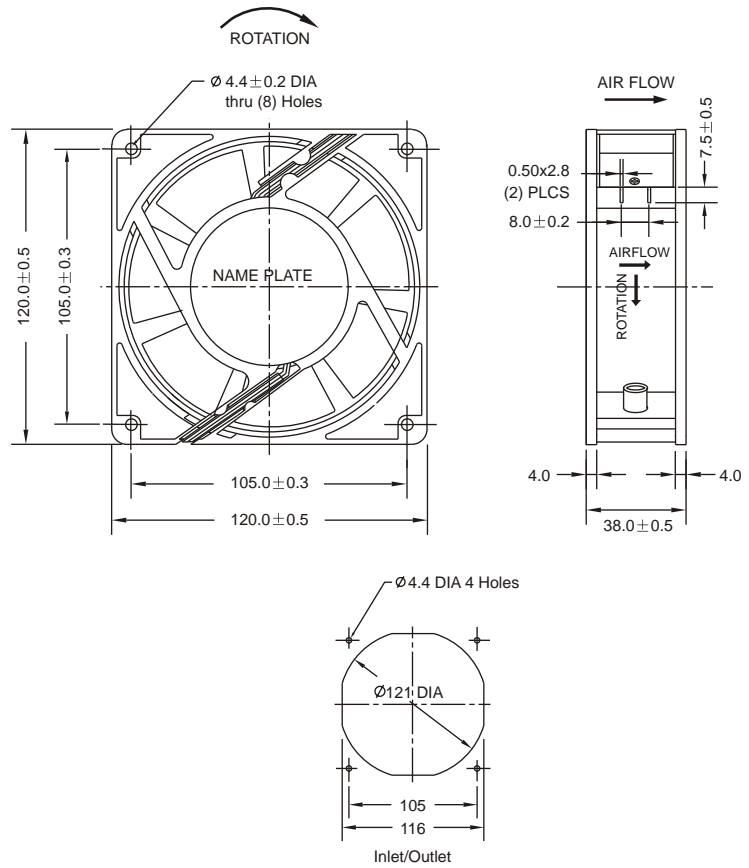


AC 1238 SERIES AXIAL FAN ( Reverse )



Size: 120mmx120mmx38mm  
 Airflow: 165~212m<sup>3</sup>/hr  
 97~129CFM  
 Weight: 504g  
 Noise: 42~50dBA  
 Impeller: PA6 UL94V-0 Reinforced Plastic  
 Frame: Aluminum Alloy  
 Terminals: 0.5mm  
 Lead Wire: AWG#22 UL 1430  
 (Optional)  
 Motor: Capaitor-Run Induction Motor  
 Safety: UL.CUL.TUV.CE  
 Operation Temperature: -10°C~+60°C

Unit:mm

Model	Bearing System	Voltage VAC	Freq. Hz	Current A	Power W	Speed RPM	Noise dBA	Air Flow		Static Pressure (mmH <sub>2</sub> O)	Weight Gram
								M <sup>3</sup> /hr	CFM		
RAH1238S1-C	Sleeve	220~240	50/60	0.10/0.11	21/21	2700/3200	46/50	170/202	100/119	7.3/9.5	504
RAM1238S1-C		220~240	50/60	0.08/0.09	13/14	2550/2800	43/46	161/178	93/105	4.7/3.6	
RAH1238S2-C		100~125	50/60	0.17/0.18	24/23	2700/3200	46/50	170/202	100/119	7.3/9.5	
RAM1238S2-C		100~125	50/60	0.15/0.16	14/14	2550/2800	43/46	161/178	93/105	4.7/3.6	
RAH1238B1-C	Ball	220~240	50/60	0.10/0.11	20/20	2850/3400	45/49	178/214	105/126	8.3/10.6	
RAM1238B1-C		220~240	50/60	0.08/0.09	13/14	2550/2800	43/46	161/178	93/105	4.7/3.6	
RAH1238B2-C		100~125	50/60	0.17/0.18	23/22	2850/3400	45/49	178/214	105/126	8.3/10.6	
RAM1238B2-C		100~125	50/60	0.15/0.16	14/14	2550/2800	43/46	161/178	93/105	4.7/3.6	

