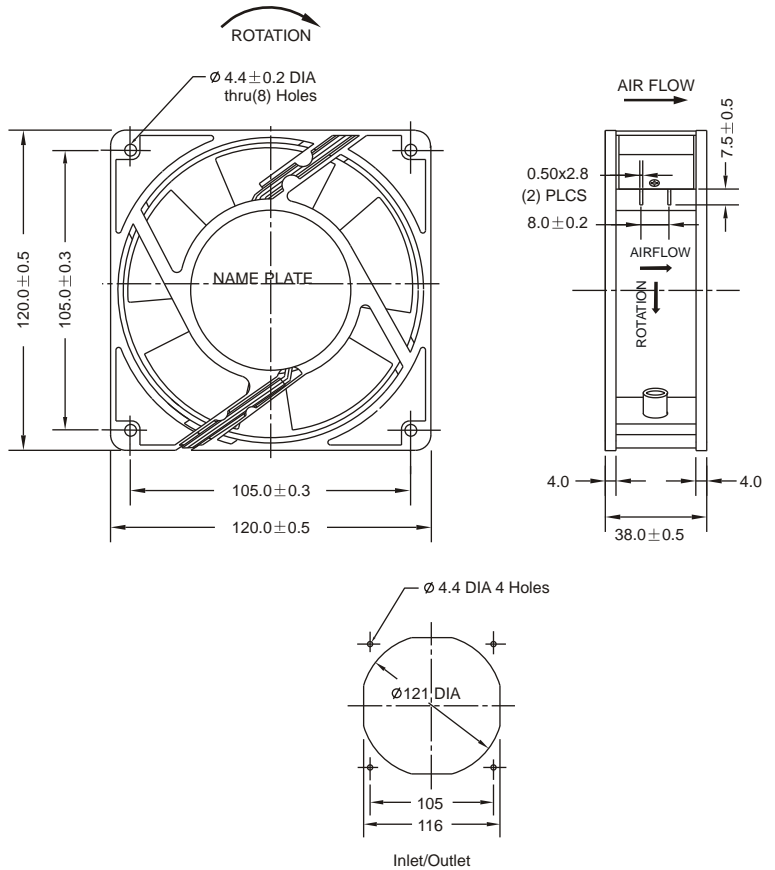


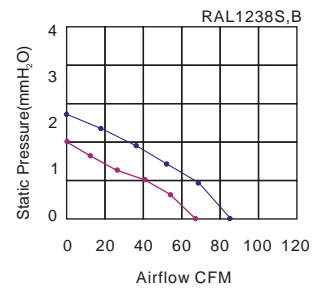
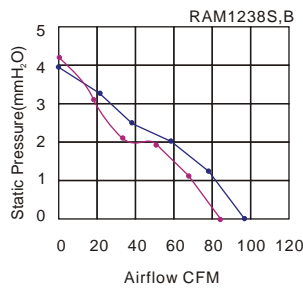
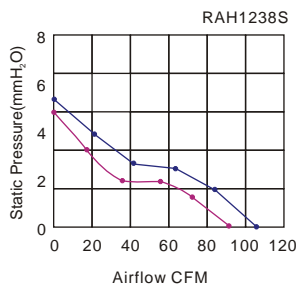
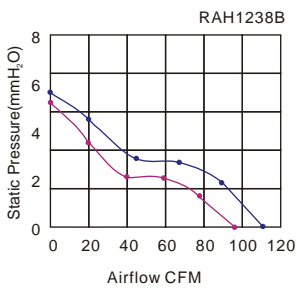
AC 1238 SERIES AXIAL FAN (Reverse)



Size: 120mmx120mmx38mm
 Airflow: 119~192m³/hr
 70~113CFM
 Weight: 540g
 Noise: 35~50dBA
 Impeller: PBT UL94V-0 Reinforced Plastic
 Frame: Aluminum Alloy
 Terminals: 0.5mm
 Lead Wire: AWG#22 UL 1430
 (Optional)
 Motor: Shaded Pole Induction Motor
 Safety: UL.CUL.TUV.CE
 Operation Temperature: -10°C~+70°C

Unit:mm

Model	Bearing System	Voltage VAC	Freq. Hz	Current A	Power W	Speed RPM	Noise dBA	Air Flow		Static Pressure (mmH ₂ O)	Weight Gram
								M ³ /hr	CFM		
RAH1238S1	Sleeve	220~240	50/60	0.20	22/19	2600/2900	43/46	153/170	90/100	5.9/6.3	540
RAM1238S1		220~240	50/60	0.16	15/17	2450/2700	41/44	143/161	84/95	4.1/4.0	
RAL1238S1		220~240	50/60	0.10	10/12	2100/2400	35/40	119/143	70/84	2.1/2.7	
RAH1238S2		100~125	50/60	0.30	22/19	2600/2900	43/46	153/170	90/100	5.8/5.4	
RAM1238S2		100~125	50/60	0.25	15/17	2450/2700	41/44	143/161	84/95	4.1/4.0	
RAL1238S2		100~125	50/60	0.20	10/12	2100/2400	35/40	119/143	70/84	2.1/2.7	
RAH1238B1	Ball	220~240	50/60	0.20	22/19	2750/3150	46/50	164/192	96.5/113	6.7/7.0	
RAM1238B1		220~240	50/60	0.16	15/17	2450/2700	41/44	143/161	84/95	4.1/4.0	
RAL1238B1		220~240	50/60	0.10	10/12	2100/2400	35/40	119/143	70/84	2.1/2.7	
RAH1238B2		100~125	50/60	0.30	22/19	2750/3150	46/50	164/192	96.5/113	5.1/5.0	
RAM1238B2		100~125	50/60	0.25	15/17	2450/2700	41/44	143/161	84/95	4.1/4.0	
RAL1238B2		100~125	50/60	0.20	10/12	2100/2400	35/40	119/143	70/84	2.1/2.7	



Key
 — 60Hz
 — 50Hz