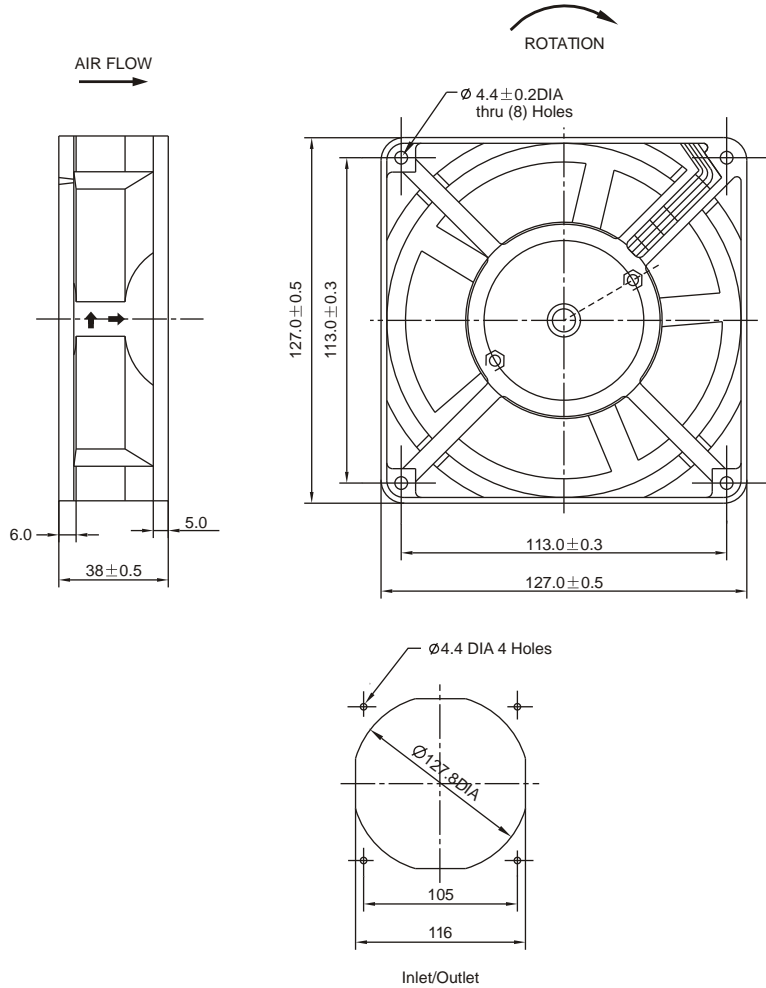


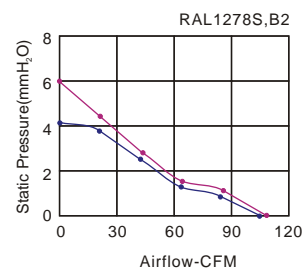
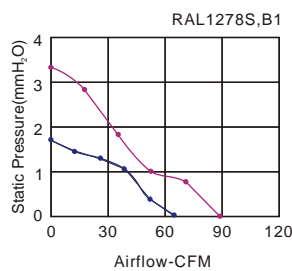
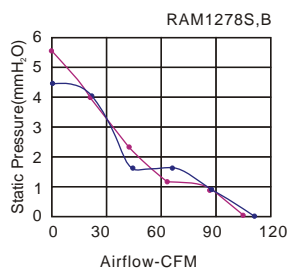
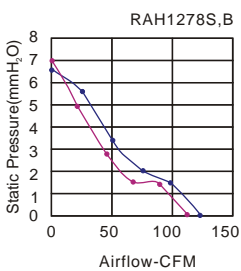
AC 1278 SERIES AXIAL FAN



Size: 127mmx127mmx38mm
 Airflow: 110~205m³/hr
 65~121CFM
 Weight: 460g
 Noise: 30~46dBA
 Impeller: PBT UL94V-0 Reinforced Plastic
 Frame: PBT UL94V-0 Reinforced Plastic
 Terminals: 0.5mm
 Lead Wire: AWG#22 UL 1007
 (Optional)
 Motor: Shaded Pole Induction Motor
 Safety: UL.CUL.TUV.CE
 Operaton Temperature: -10°C~+50°C

Unit:mm

Model	Bearing System	Voltage VAC	Freq. Hz	Current A	Power W	Speed RPM	Noise dBA	Air Flow		Static Pressure (mmH ₂ O)	Weight Gram
								M ³ /hr	CFM		
RAH1278S1(P5B)	Sleeve	220~240	50/60	0.17/0.14	24/21	2500/2800	43/45	183/205	108/121	6.8/6.5	460
RAM1278S1(P5B)		220~240	50/60	0.12/0.10	20/19	2350/2550	41/43	176/187	104/110	5.6/4.6	
RAL1278S1(P5B)		220~240	50/60	0.08/0.07	12/11	2050/1450	39/30	153/110	90/65	3.4/1.7	
RAH1278S2(P5B)		100~125	50/60	0.34/0.30	23/20	2500/2800	43/45	183/205	108/121	6.8/6.5	
RAM1278S2(P5B)		100~125	50/60	0.29/0.26	20/19	2350/2550	41/43	176/187	104/110	5.6/4.6	
RAL1278S2(P5B)		100~125	50/60	0.28/0.25	19/17	2400/2350	41/41	182/178	107/105	6.0/4.2	
RAH1278B1(P5B)	Ball	220~240	50/60	0.17/0.14	24/21	2500/2800	44/46	183/205	108/121	6.8/6.5	
RAM1278B1(P5B)		220~240	50/60	0.12/0.10	20/19	2350/2550	41/43	176/187	104/110	5.6/4.6	
RAL1278B1(P5B)		220~240	50/60	0.08/0.07	12/11	2050/1450	39/30	153/110	90/65	3.4/1.7	
RAH1278B2(P5B)		100~125	50/60	0.34/0.30	23/20	2500/2800	44/46	183/205	108/121	6.8/6.5	
RAM1278B2(P5B)		100~125	50/60	0.29/0.26	20/19	2350/2550	41/43	176/187	104/110	5.6/4.6	
RAL1278B2(P5B)		100~125	50/60	0.28/0.25	19/17	2400/2350	41/41	182/178	107/105	6.0/4.2	



Key
 — 60Hz
 — 50Hz