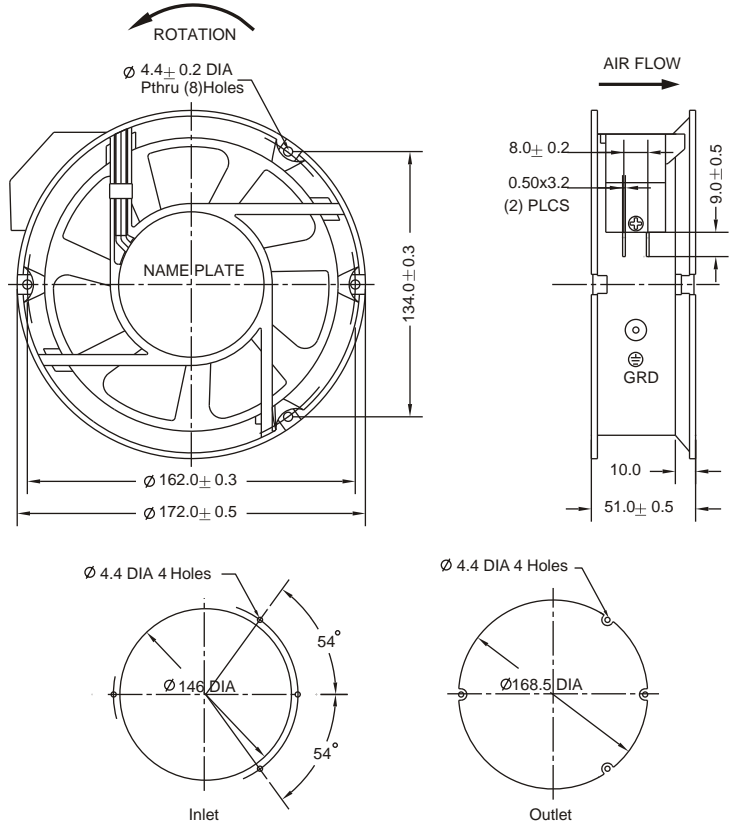


AC 1725 SERIES AXIAL FAN (High Air Flow)



Size: $\phi 172\text{mm} \times 51\text{mm}$
Airflow: $425 \sim 498\text{m}^3/\text{hr}$
 $250 \sim 293\text{CFM}$
Weight: 1000g
Noise: 56~61dBA
Impeller: PA6 UL94V-0 Reinforced Plastic
Frame: Aluminum Alloy
Terminals: 0.5mm
Lead Wire: AWG#22 UL 1015
 (Optional)
Motor: Capacitor-Run Induction Motor
Safety: UL.CUL.TUV.CE
Operation Temperature: $-10^\circ\text{C} \sim +60^\circ\text{C}$

Unit:mm

Model	Bearing System	Voltage VAC	Freq. Hz	Current A	Power W	Speed RPM	Noise dBA	Air Flow		Static Pressure (mmH ₂ O)	Weight Gram
								M ³ /hr	CFM		
RAH1725B1-C	Ball	220~240	50/60	0.20/0.22	46/50	2850/3300	56/61	425/498	250/293	16.0/20.0	1000
RAH1725B2-C		100~125	50/60	0.35/0.40	46/50	2850/3300	56/61	425/498	250/293	16.0/20.0	

