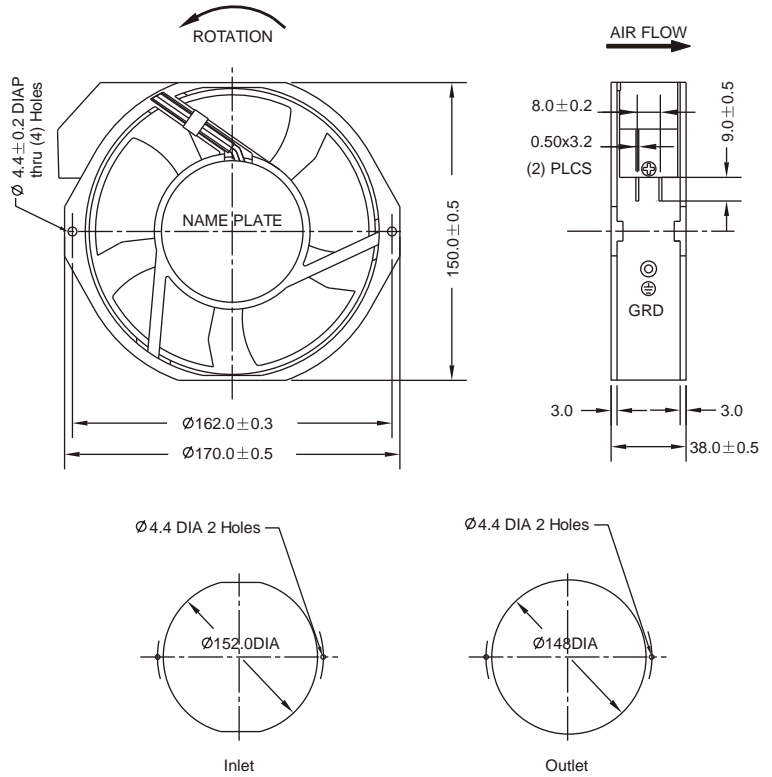


AC 1738 SERIES AXIAL FAN (High Air Flow)



**Size:** 172mmx150mmx38mm  
**Airflow:** 282 ~ 336m<sup>3</sup>/hr  
 166 ~ 198CFM  
**Weight:** 760g  
**Noise:** 57 ~ 61dBA  
**Impeller:** PA6 UL94V-0 Reinforced Plastic  
**Frame:** Aluminum Alloy  
**Terminals:** 0.5mm  
**Lead Wire:** AWG#22 UL 1015  
 (Optional)  
**Motor:** Capacitor-Run Induction Motor  
**Safety:** UL.CUL.TUV.CE  
**Operation Temperature:** -10°C ~ +70°C

Unit:mm

Model	Bearing System	Voltage VAC	Freq. Hz	Current A	Power W	Speed RPM	Noise dBA	Air Flow		Static Pressure (mmH <sub>2</sub> O)	Weight Gram
								M <sup>3</sup> /hr	CFM		
RAH1738B1-C	Ball	220~240	50/60	0.16/0.17	36/35	2850/3400	57/61	282/336	166/198	16.7/19.5	760
RAH1738B2-C		100~125	50/60	0.25/0.26	30/31	2850/3400	57/61	282/336	166/198	16.7/19.5	

