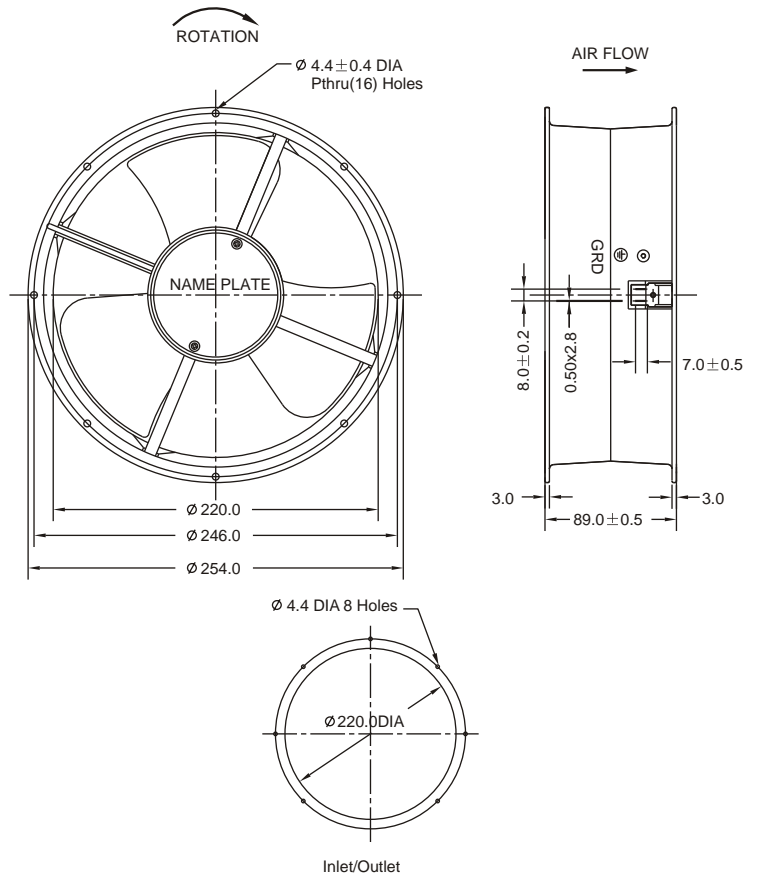


AC 2589 SERIES AXIAL FAN (High Air Flow)

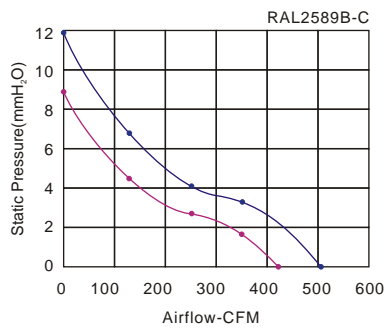
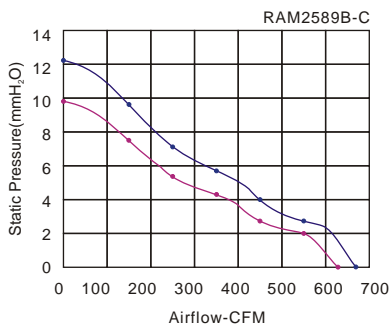


Size: $\varnothing 254\text{mm} \times 89\text{mm}$
 Airflow: 718 ~ 1160m³/hr
 423 ~ 685CFM
 Weight: 2150g
 Noise: 52 ~ 60dBA
 Impeller: PA6 UL94V-0 Reinforced Plastic
 Frame: Aluminum Alloy
 Terminals: 0.5mm
 Lead Wire: AWG#22 UL 1015
 (Optional)
 Motor: Capacitor-Run Induction Motor
 Safety: UL.CUL.TUV.CE
 Operation Temperature: -10°C ~ +70°C



Unit:mm

Model	Bearing System	Voltage VAC	Freq. Hz	Current A	Power W	Speed RPM	Noise dBA	Air Flow		Static Pressure (mmH ₂ O)	Weight Gram
								M ³ /hr	CFM		
RAM2589B1-C	Sleeve	220~240	50/60	0.29/0.35	65/78	2200/2100	60/59	1160/1084	685/640	12.2/9.8	1900
RAM2589B2-C		100~125	50/60	0.58/0.70	65/78	2200/2100	60/59	1160/1084	685/640	12.2/9.8	
RAL2589B1-C		220~240	50/60	0.16/0.17	32/35	1400/1650	52/55	718/855	423/503	8.9/11.9	
RAL2589B2-C		100~125	50/60	0.28/0.30	32/35	1400/1650	52/55	718/855	423/503	8.9/11.9	



Key
 — 60Hz
 — 50Hz