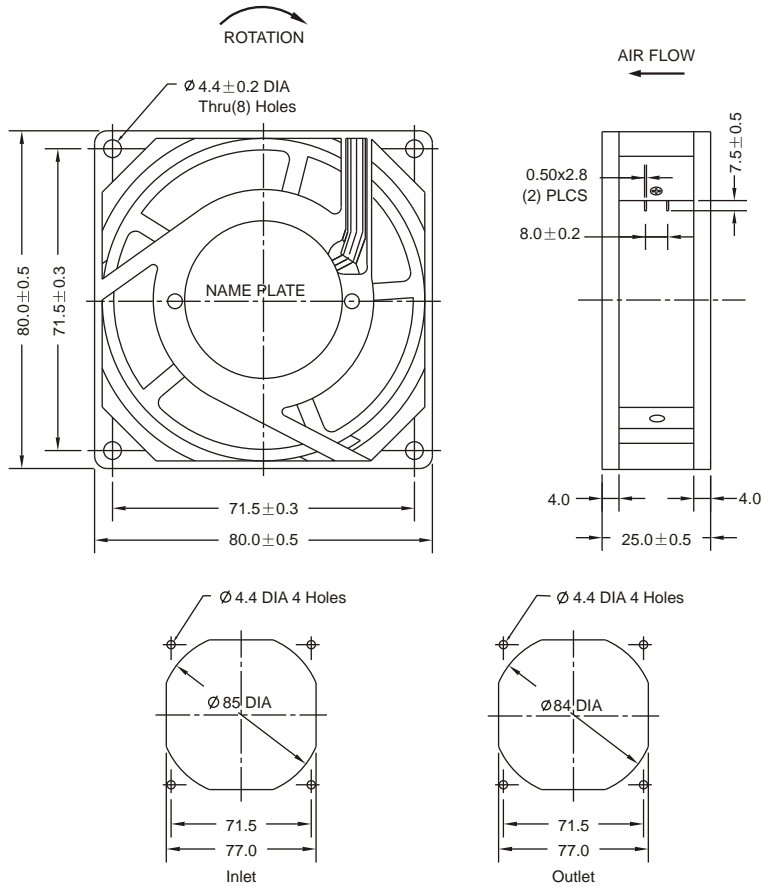


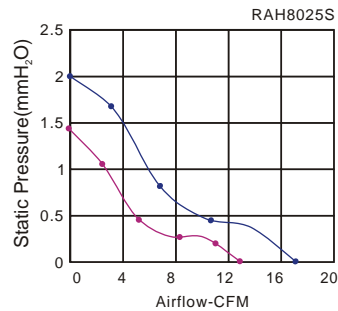
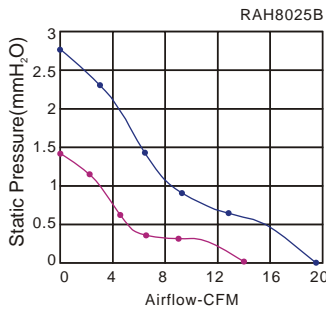
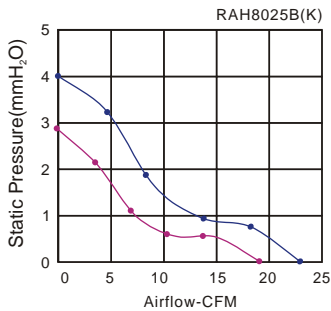
AC 8025 SERIES AXIAL FAN



Size: 80mmx80mmx25mm
 Airflow: 22~39m³/hr
 13~23CFM
 Weight: 208g
 Noise: 20~26dBA
 Impeller: PA6 UL94V-0 Reinforced Plastic
 Frame: Aluminum Alloy
 Terminals: 0.5mm
 Lead Wire: AWG#22 UL 1007
 (Optional)
 Motor: Shaded Pole Induction Motor
 Safety: UL.CUL.TUV.CE
 Operation Temperature: -10°C~+55°C

Unit:mm

Model	Bearing System	Voltage VAC	Freq. Hz	Current A	Power W	Speed RPM	Noise dBA	Air Flow		Static Pressure (mmH ₂ O)	Weight Gram
								M ³ /hr	CFM		
RAH8025S1	Sleeve	220~240	50/60	0.1	13/11	1600/2100	20/23	22/29	13/17	1.4/2.0	208
RAM8025S2		100~125	50/60	0.13	13/11	1600/2100	20/23	22/29	13/17	1.4/2.0	
RAH8025B1	Ball	220~240	50/60	0.1	13/11	1700/2200	21/26	24/32	14/19	1.4/2.7	
RAM8025B2		100~125	50/60	0.13	13/11	1700/2200	21/26	24/32	14/19	1.4/2.7	
RAH8025B1(K)		220~240	50/60	0.1	13/11	2300/2700	25/29	32/39	19/23	2.8/4.0	
RAH8025B2(K)		100~125	50/60	0.13	13/11	2300/2700	25/29	32/39	19/23	2.8/4.0	



Key
 — 60Hz
 — 50Hz