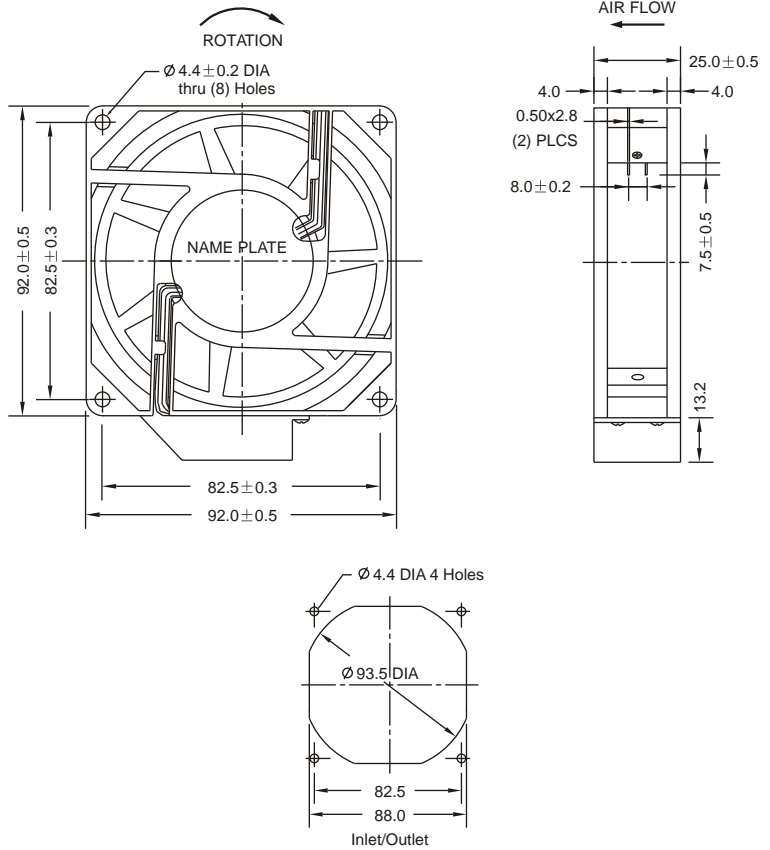


AC 9225 SERIES AXIAL FAN (High Air Flow)



Size: 92mmx92mmx25mm  
 Airflow: 53 ~ 85m<sup>3</sup>/hr  
 31 ~ 50CFM  
 Weight: 280g  
 Noise: 25 ~ 34dBA  
 Impeller: PA6 UL94V-0 Reinforced Plastic  
 Frame: Aluminum Alloy  
 Terminals: 0.5mm  
 Lead Wire: AWG#22 UL 1007  
 (Optional)  
 Motor: Capacitor-Run Induction Motor  
 Safety: UL.CUL.TUV.CE  
 Operation Temperature: -10°C ~ +55°C

Unit:mm

Model	Bearing System	Voltage VAC	Freq. Hz	Current A	Power W	Speed RPM	Noise dBA	Air Flow		Static Pressure (mmH <sub>2</sub> O)	Weight Gram
								M <sup>3</sup> /hr	CFM		
RAH9225S1-C	Sleeve	220~240	50/60	0.08/0.09	17/18	2350/2850	26/31	66/80	39/47	3.1/4.4	280
RAM9225S1-C		220~240	50/60	0.07/0.07	15/15	2100/2600	25/29	53/71	31/42	2.4/3.7	
RAH9225S2-C		100~125	50/60	0.15/0.16	17/18	2350/2850	26/31	66/80	39/47	3.1/4.4	
RAM9225S2-C		100~125	50/60	0.11/0.11	13/13	2100/2600	25/29	53/71	31/42	2.4/3.7	
RAH9225B1-C	Ball	220~240	50/60	0.08/0.09	17/18	2700/3200	30/34	71/85	42/50	4.3/6.0	
RAM9225B1-C		220~240	50/60	0.07/0.07	15/15	2400/2950	27/32	66/82	39/48	3.3/4.8	
RAH9225B2-C		100~125	50/60	0.15/0.16	17/18	2700/3200	30/34	71/85	42/50	4.3/6.0	
RAM9225B2-C		100~125	50/60	0.13/0.13	15/15	2400/2950	27/32	66/82	39/48	3.3/4.8	

