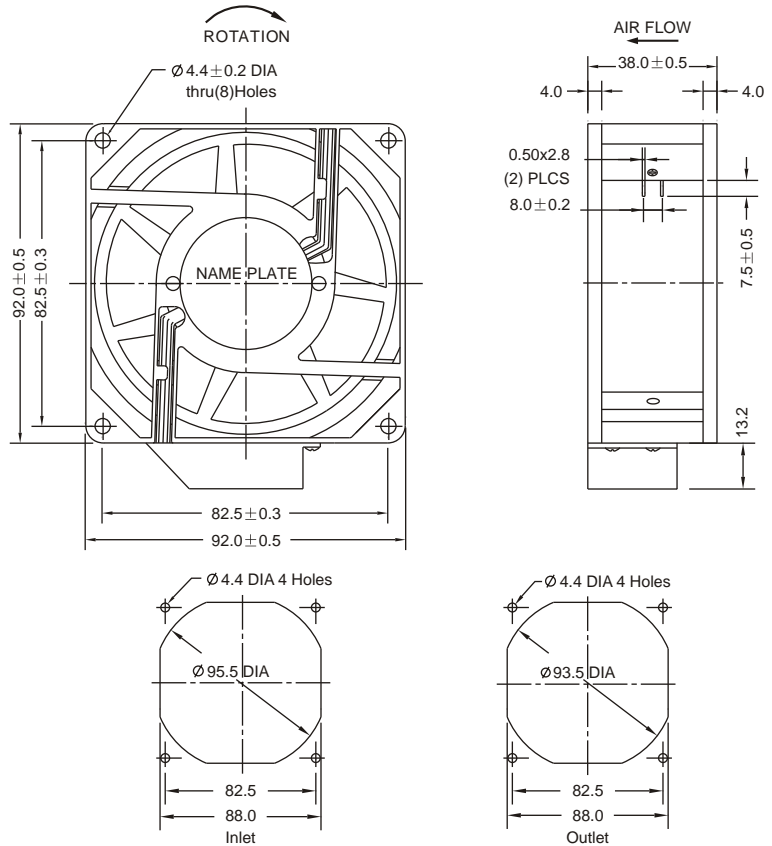


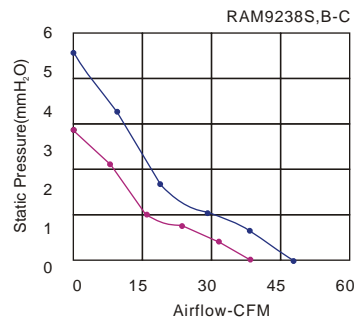
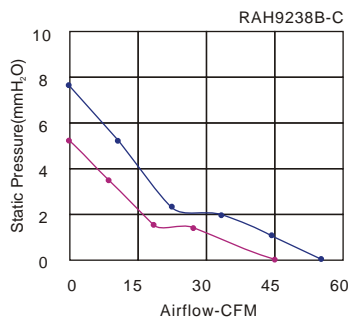
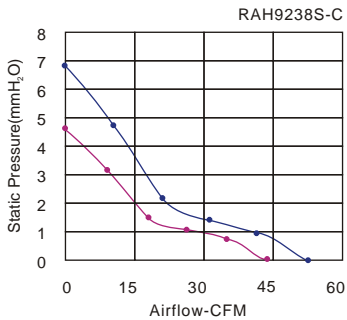
AC 9238 SERIES AXIAL FAN (High Air Flow)



Size: 92mmx92mmx38mm
 Airflow: 66~95m³/hr
 39~56CFM
 Weight: 380g
 Noise: 26~36dBA
 Impeller: PA6 UL94V-0 Reinforced Plastic
 Frame: Aluminum Alloy
 Terminals: 0.5mm
 Lead Wire: AWG#22 UL 1007
 (Optional)
 Motor: Capacitor-Run Induction Motor
 Safety: UL.CUL.TUV.CE
 Operation Temperature: -10°C~+65°C

Unit:mm

Model	Bearing System	Voltage VAC	Freq. Hz	Current A	Power W	Speed RPM	Noise dBA	Air Flow		Static Pressure (mmH ₂ O)	Weight Gram
								M ³ /hr	CFM		
RAH9238S1-C	Sleeve	220~240	50/60	0.07/0.08	16/17	2650/3200	29/35	75/90	44/53	4.6/6.9	380
RAM9238S1-C		220~240	50/60	0.05/0.05	11/11	2350/2850	26/31	66/82	39/48	3.4/5.4	
RAH9238S2-C		100~125	50/60	0.13/0.14	16/17	2650/3200	29/35	75/90	44/53	4.6/6.9	
RAM9238S2-C		100~125	50/60	0.06/0.06	9/9	2350/2850	26/31	66/82	39/48	3.4/5.4	
RAH9238B1-C	Ball	220~240	50/60	0.07/0.08	16/17	2800/3350	30/36	78/95	46/56	5.3/7.7	
RAM9238B1-C		220~240	50/60	0.05/0.05	11/11	2350/2850	26/31	66/82	34/48	3.4/5.4	
RAH9238B2-C		100~125	50/60	0.13/0.14	16/17	2800/3350	30/36	78/95	46/56	5.3/7.7	
RAM9238B2-C		100~125	50/60	0.06/0.06	9/9	2350/2850	26/31	66/82	34/48	3.4/5.4	



Key
 — 60Hz
 — 50Hz