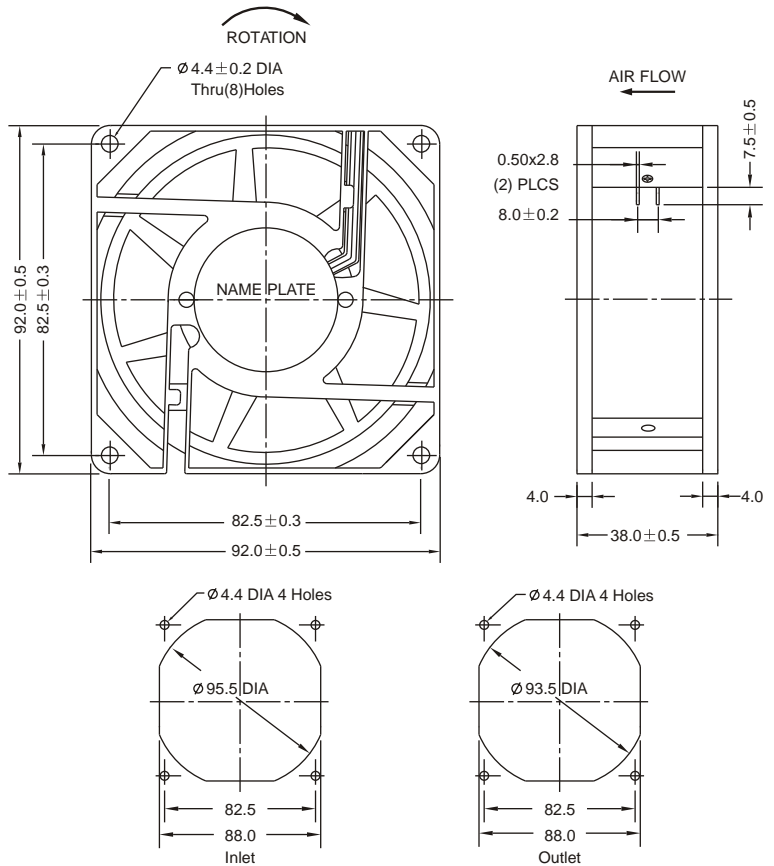


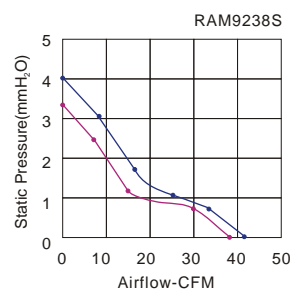
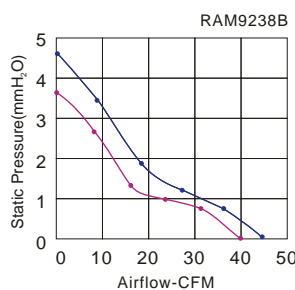
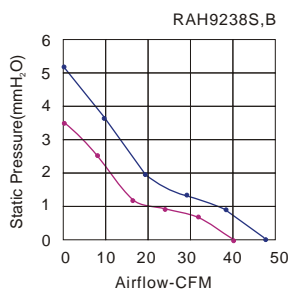
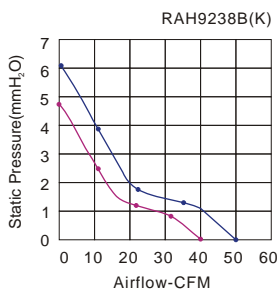
AC 9238 SERIES AXIAL FAN



Size: 92mmx92mmx38mm
 Airflow: 63~85m³/hr
 37~50CFM
 Weight: 350g
 Noise: 25~35dBA
 Impeller: PA6 UL94V-0 Reinforced Plastic
 Frame: Aluminum Alloy
 Terminals: 0.5mm
 Lead Wire: AWG#22 UL 1007
 (Optional)
 Motor: Shaded Pole Induction Motor
 Safety: UL.CUL.TUV.CE
 Operation Temperature: -10°C~+65°C

Unit:mm

Model	Bearing System	Voltage VAC	Freq. Hz	Current A	Power W	Speed RPM	Noise dBA	Air Flow		Static Pressure (mmH ₂ O)	Weight Gram
								M ³ /hr	CFM		
RAH9238S1	Sleeve	220~240	50/60	0.10/0.08	17/13	2350/2750	26/31	66/78	39/46	3.6/5.2	350
RAM9238S1		220~240	50/60	0.07/0.06	11/8	2200/2500	25/27	63/70	37/41	3.3/4.0	
RAH9238S2		100~125	50/60	0.23/0.18	17/13	2350/2750	26/31	66/78	39/46	3.6/5.2	
RAM9238S2		100~125	50/60	0.12/0.09	9/7	2200/2500	25/27	63/70	37/41	3.3/4.0	
RAH9238B1	Ball	220~240	50/60	0.10/0.08	17/13	2350/2750	27/32	66/78	39/46	3.6/5.2	
RAM9238B1		220~240	50/60	0.07/0.06	11/8	2250/2600	26/28	65/75	38/44	3.7/4.6	
RAH9238B2		100~125	50/60	0.23/0.18	17/13	2350/2750	27/32	66/78	39/46	3.6/5.2	
RAM9238B2		100~125	50/60	0.12/0.09	9/7	2250/2600	26/28	65/75	38/44	3.7/4.6	
RAH9238B1(K)		220~240	50/60	0.10/0.08	17/13	2600/3000	31/35	72/85	42/50	4.5/6.1	
RAH9238B2(K)		100~125	50/60	0.23/0.18	17/13	2600/3000	31/35	72/85	42/50	4.5/6.1	



Key
 — 60Hz
 — 50Hz